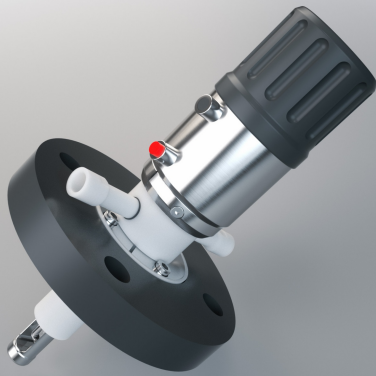


EXtract 820M plastics



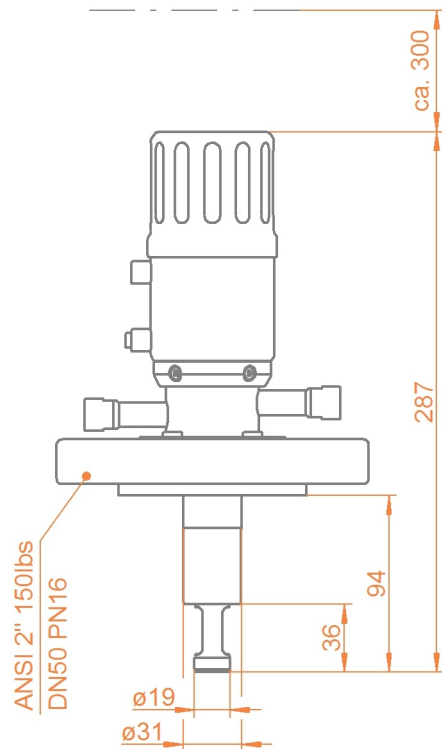
- » Robust design, integrated scraper
- » Automatic locking system with indicators for measurement- and service position
- » Automatic safety lock while sensor is removed
- » Safe handling under higher process pressure due to unique rotary drive
- » PP, PVDF or PEEK available
- » Usable in ATEX-areas
- » High stability protection cage in Alloy for option PVDF Immersion length up to 94mm

EXtract 820M is manual retractable holder made of plastics for installation of Ø12-225mm sensors on tanks or pipelines with an unique rotary drive unit

Specifications

Process pressure	0...10bar
Process temperature	-10...140°C
Ambient temperature	-10...70°C
Immersion length	up to 94mm
Sensors	Ø12-225mm PG 13.5
Materials	PP, PVDF/Alloy C22, PEEK
Sealings	EPDM, FPM (Viton), FFKM (Kalrez)
Process connection	Flange DN50 PN16, ANSI 2" 150lbs, MNPT 1 1/4" G1/8", G1/4", NPT 1/4"
Cleaning ports	
Drive unit	manual rotary drive unit
Limit switcher	optional electrical NAMUR-switches

Dimensions



Certificates



EXtract 820M plastics



Alloy protective cage and sensor in measuring position

Ordercode

Code	Material (wetted parts)	Delivery
PP	PP	0 weeks
PVDF	PVDF	0 weeks
PEEK	PEEK	0 weeks

Code	Sealing Material (wetted sealings)	Delivery
EPD	EPDM/FDA/USP VI	2 weeks
FPM	FPM (Viton)	2 weeks
FKM	FFKM (Kalrez)	3 weeks

Code	Sensor type	Delivery
225	225mm PG 13,5 gel-filled	2 weeks
280	280mm PG 13,5 liquid filled	2 weeks

Code	Process Connection	Delivery
D50	Flange DN50 PN16	1 weeks
A20	Flange ANSI 2" 150lbs	2 weeks
N14	NPT M 1 1/4"	2 weeks

Code	Cleaning Connection	Delivery
G18	G 1/8" female thread	2 weeks
G14	G 1/4" female thread	2 weeks
N14	1/4" NPT female thread	2 weeks

Code	Position switch	Delivery
00	without	2 weeks