

EXtract 815M stainless steel for welding socket DN25



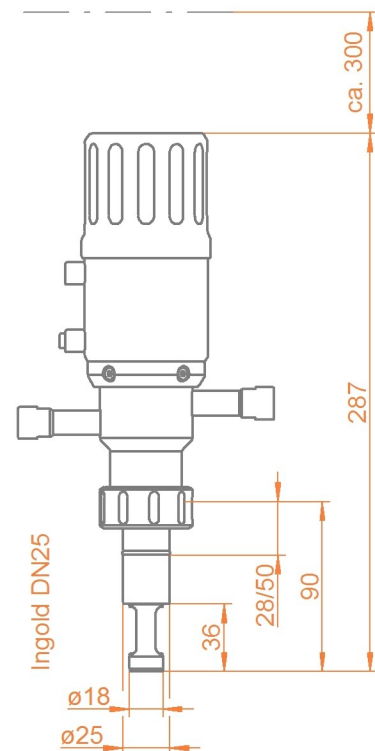
- » Robust design, integrated PTFE scraper
- » Automatic locking system with indicators for measurement- and service position
- » Automatic safety lock while sensor is removed
- » Safe handling under higher process pressure due to unique rotary drive
- » Stainless steel AISI 316L / 1.4404 or Alloy
- » Immersion length up to 90mm
- » Usable in ATEX-areas

EXtract 815M is a manual retractable holder made of stainless steel for installation of $\varnothing 12$ mm sensors on tanks or pipelines by welding sockets DN25. The unique rotary drive unit allows operating at process pressure rates up to 16bar.

Specifications

Process pressure	0...16bar
Process temperature	-10...140°C
Ambient temperature	-10...70°C
Immersion length	up to 90mm
O-ring-position	28mm / 50mm
Sensors	$\varnothing 12$ -225mm PG 13.5
Materials	stainless steel 1.4404 /316L, Alloy C22 (2.4602)
Sealings	EPDM, FPM (Viton), FFKM (Kalrez)
Process connection	G1 1/4" (DN25)
Cleaning ports	G1/8", G1/4", FNPT 1/4"
Operating power	manual
Limit switches	optional electrical NAMUR switches

Dimensions



Certificates



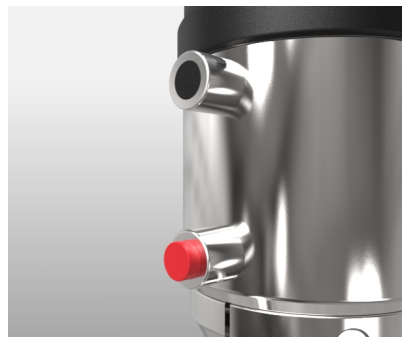
EXtract 815M stainless steel for welding socket DN25



Protective cage with sensor in measuring position



Process sealing with integrated PTFE-scraper



Unlocking pins and position indicators on manual drive unit

Ordercode

Code	Material (wetted parts)	Delivery
4404	Stainless steel 1.4404 / 316L	2 weeks
HC22	Alloy C22 2.4602	4 weeks

Code	Sealing Material (wetted sealings)	Delivery
EPD	EPDM/FDA/USP VI	2 weeks
FPM	FPM (Viton)	2 weeks
FKM	FFKM (Kalrez)	3 weeks

Code	Sensor type	Delivery
225	225mm PG 13,5 gel-filled	2 weeks
280	280mm PG 13,5 liquid filled	3 weeks

Code	Process Connection	Delivery
IN28	Ingold DN25 G1 1/4" O-Ring-position 28mm	2 weeks
IN50	Ingold DN25 G1 1/4" O-ring position 50mm	3 weeks

Code	Cleaning Connection	Delivery
G18	G 1/8" female thread	2 weeks
G14	G 1/4" female thread	2 weeks
N14	1/4" NPT female thread	2 weeks

Code	Position switch	Delivery
00	without	2 weeks