

## EXtract 810 stainless steel



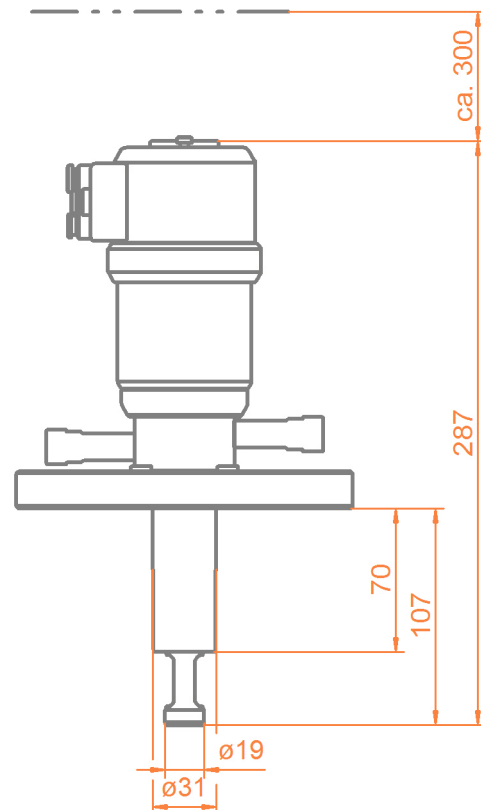
- › Robust design, integrated scraper
- › Extension of sensor-lifetime and reducing of maintenance efforts
- › Automatic safety lock while sensor is removed
- › Plug and play installation, colour- and size-coded connection system
- › Integrated limit switches
- › Usable in ATEX-areas
- › Immersion length up to 107mm

EXtract 810 is a retractable holder made of stainless steel or Alloy C22 for installation of  $\varnothing 12$ -225mm sensors on tanks or pipelines for fully automated sensor treatment.

### Specifications

Process pressure	0...16bar
Process temperature	-10...140°C
Ambient temperature	-10...70°C
Immersion length	up to 107mm
Sensors	$\varnothing 12$ -225mm PG 13.5
Materials	stainless steel 1.4404 /316L, Alloy C22 (2.4602)
Sealings	EPDM, FPM (Viton), FFKM (Kalrez)
Process connection	Flange DN32, DN40, DN50, ANSI 1 1/4", ANSI 1 1/2", ANSI 2", MNPT 1 1/4", TriClamp 1.5", TriClamp 2"
Cleaning ports	G1/8", G1/4", FNPT 1/4"
Operating power	compressed air 4...6 bar
Limit switches	pneumatic, integrated

### Dimensions



### Certificates



## EXtract 810 stainless steel



Protecting cage in process position



Connection board EXtract



Installation on EXtract 820 with flow vessel EXflow720

### Ordercode

Code	Material (wetted parts)	Delivery
4404	Stainless steel 1.4404 / 316L	2 weeks
HC22	Alloy C22 2.4602	6 weeks

Code	Sealing Material (wetted sealings)	Delivery
EPD	EPDM/FDA/USP VI	2 weeks
FPM	FPM (Viton)	2 weeks
FKM	FFKM (Kalrez)	3 weeks

Code	Sensor type	Delivery
225	225mm PG 13,5 gel-filled	2 weeks
280	280mm PG 13,5 liquid filled	2 weeks

Code	Process Connection	Delivery
D32	Flange DN32 PN16	2 weeks
D40	Flange DN40 PN16	2 weeks
D50	Flange DN50 PN16	2 weeks
A14	Flange ANSI 1 1/4" 150lbs	2 weeks
A12	Flange ANSI 1 1/2" 150lbs	2 weeks
A20	Flange ANSI 2" 150lbs	2 weeks
N14	NPT M 1 1/4"	2 weeks
TC20	TriClamp 2.0 (OD Ø64mm)	2 weeks
TC15	TriClamp 1-1,5" (OD Ø50.5mm)	2 weeks

Code	Cleaning Connection	Delivery
G18	G 1/8" female thread	2 weeks
G14	G 1/4" female thread	2 weeks
N14	1/4" NPT female thread	2 weeks

Code	Position switch	Delivery
PN	pneumatic	2 weeks