

EXstatic 315 15°- angled process connection



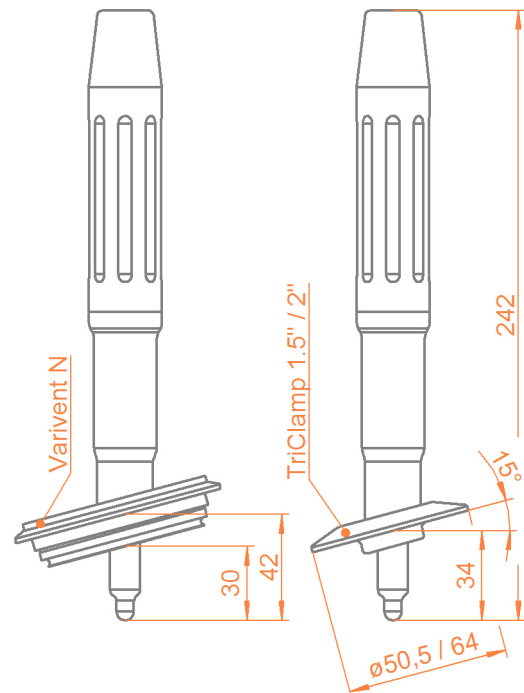
- › Designed according to hygienic criteria
- › Surface finish $Ra < 0,78$ or $Ra < 0,37$
- › Stainless steel AISI 316L / 1.4404
- › EPDM sealings with FDA and USP VI approval
- › Up to 10 bar and 140 °C
- › Protection cap for cable connection
- › 15° angled process connection

Static sensor holder with 15°-angled process connections for permanent installation of Ø12mm/120mm-sensors in tanks or pipes mainly in hygienic applications

Specifications

max. pressure	10 bar
max. temperature	140°C
material	1.4404 / 316L
surface	$Ra < 0,78$ or $Ra < 0,37$
sealing material	EPDM / FDA / USP VI or FPM (Viton)
material cable guard	PA6.6 GF30
certificates	material, surface, sealing material
option	without protection cage
sensors	120mm / PG13,5
process connection	TriClamp 1.5" (Ø50,5), TriClamp 2" (Ø64), Varivent N oder Neumo BioControl D50

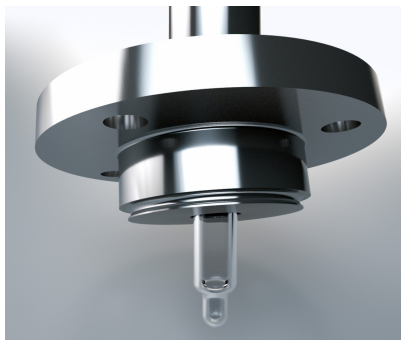
Dimensions



EXstatic 315 15°- angled process connection



Process connection TriClamp 1.5" / 15° slanting



Process connection NEUMO BioControl D50 / 15° slanting



Installation example: left EXstatic 310, right EXstatic 315

Ordercode

Code	Material (wetted parts)	Delivery
0408	Stainless Steel 1.4404 / 316L Ra0,78	2 weeks
0404	Stainless Steel 1.4404 / 316L Ra0,37	4 weeks

Code	Sealing Material (wetted sealings)	Delivery
EPD	EPDM/FDA/USP VI	2 weeks
FPM	FPM (Viton)	2 weeks

Code	Sensor type	Delivery
120	120mm PG 13,5 Ø12mm	2 weeks

Code	Process Connection	Delivery
VARN	Varivent N DN40-125	4 weeks
TC15	TriClamp 1-1,5" (OD Ø50,5mm)	2 weeks
TC20	TriClamp 2.0 (OD Ø64mm)	2 weeks
BCT5	NEUMO BioControl D50	4 weeks

Code	Immersion length	Delivery
034	34mm under process connection	2 weeks

Code	Protection cage	Delivery
0	without	2 weeks