

EXdip 920 DN50 / ANSI 2" plastics



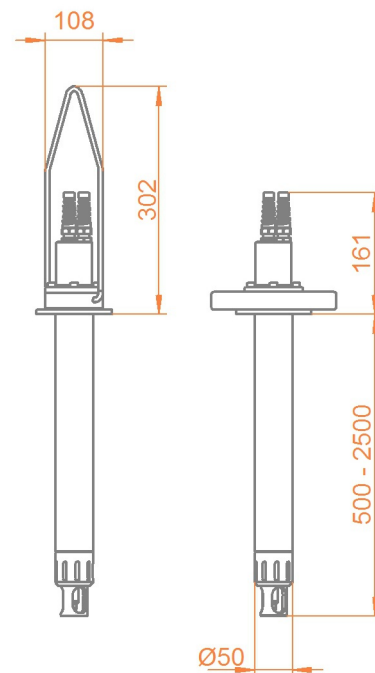
- › Robust design
- › Integrated orbital sensor cleaning system
- › Extension of sensor-lifetime and reduction of maintenance efforts
- › Easy installation and removal of the sensor holder
- › PP or PVDF
- › Immersion length 500-2500mm
- › Minimum size DN50 / 2"

EXdip 920 is an immersion holder made of plastics with flange connection or with suspended holder and integrated orbital sensor cleaning system. Nominal diameter DN50 / 2"

Specifications

Max. pressure	6 bar
Max. temperature	80°C
Material	PP or PVDF
Sealing material	EPDM or FPM (Viton)
Immersion lengths	0.5 up to 2.5meters
Process connection	DIN DN50 / ANSI 2" or suspension holder
Sensor cleaning	integrated orbital spray cleaning (option)

Dimensions



EXdip 920 DN50 / ANSI 2" plastics



Protection cage with integrated orbital flushing



Usable for industrial applications



EXdip 920 - version with suspended holder

Ordercode

Code	Material (wetted parts)	Delivery
PP	PP	2 weeks
PV	PVDF	2 weeks

Code	Sealing Material (wetted sealings)	Delivery
EPD	EPDM/FDA/USP VI	2 weeks
FPM	FPM (Viton)	2 weeks

Code	Sensor type	Delivery
120	120mm PG 13,5 Ø12mm	2 weeks
N34	for sensor types with MNPT 3/4" (only "NC")	4 weeks
N10	for sensor types with MNPT 1" (only "NC")	4 weeks

Code	Process Connection	Delivery
D50	Flange DN50 PN16	2 weeks
A20	Flange ANSI 2" 150lbs	2 weeks
SUH	with Suspended Holder	2 weeks

Code	Immersion length	Delivery
05	0.5 meter	2 weeks
10	1 meter	2 weeks
15	1.5 meters	2 weeks
20	2 meters	2 weeks
25	2.5 meters	2 weeks

Code	Cleaning	Delivery
NC	without	2 weeks
SC	with integrated spray cleaning	2 weeks